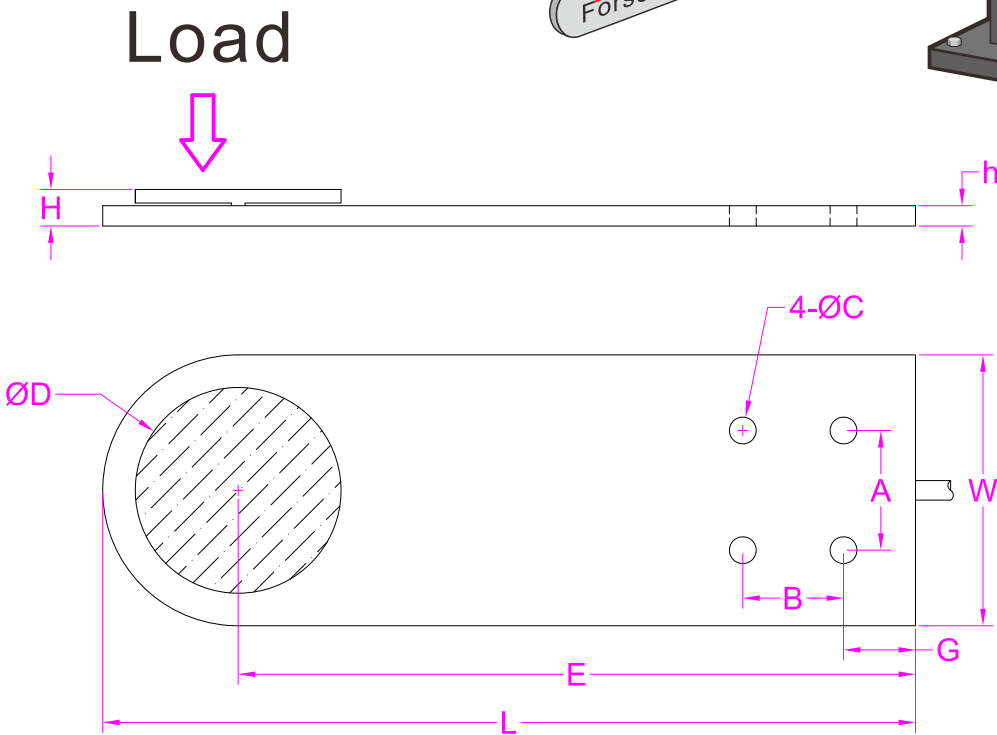
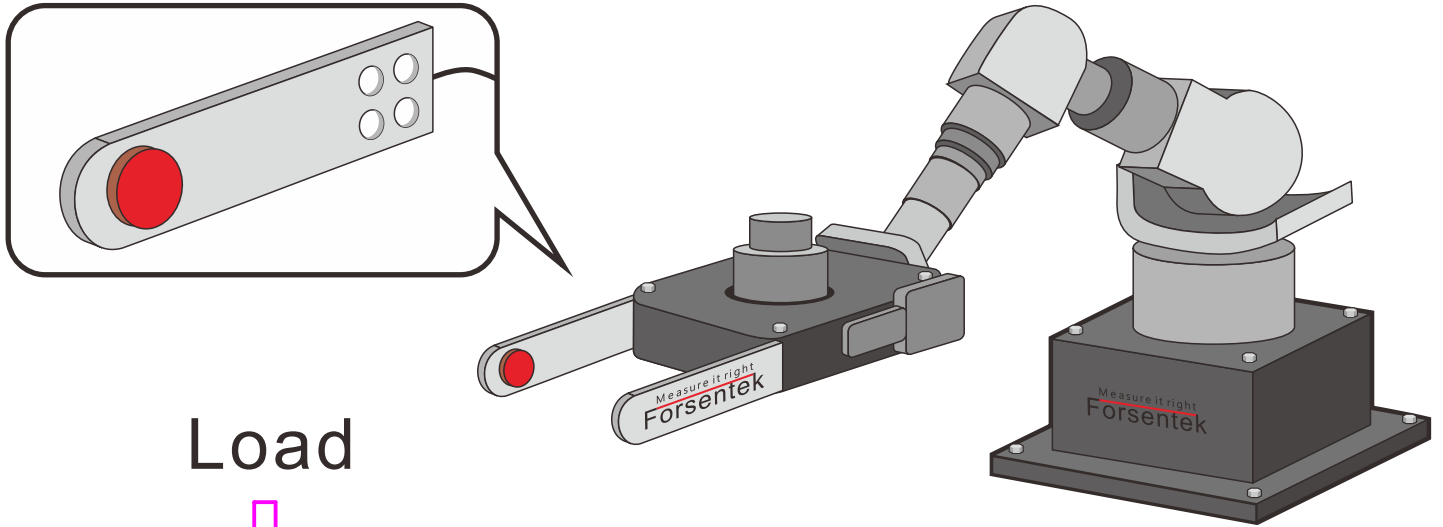


## Customizable clamping force sensor



Measuring range(N)		Quantity	
L		W	
H		h	
A		B	
C		D	
E		G	
Other requirements			

- For dimensions that don't matter, please fill in "Given by design" or acceptable range like "25~40mm".
- Drawings provided by clients are also welcome.
- Forsentek will evaluate the feasibility upon the given parameters and propose modifications accordingly to make it work.